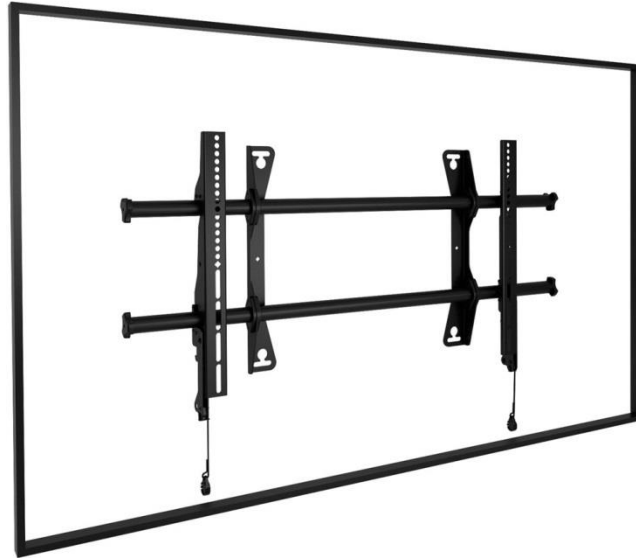




CHIEF®

Large Fusion Fixed Wall Display Mount



Model: LSA1U

Chief Manufacturing LSA1U Large Fusion Fixed Wall Display Mount offers added stability, faster install, improved lateral shift, easier cable management and enhanced security. Installer-inspired Fusion fixed mount solves top flat panel installation problems, offering flexible adjustments for large displays with a low-profile display mounting solution.

- Integrated teardrop design speeds up wall plate installation by allowing pre-installation of the bolts to the wall
- Centerless Shift provides up to 17.4" (441 mm) of post-installation lateral shift for limitless centering
- Set screws keep the mount rigid, stable and secure throughout the life of the installation
- ClickConnect offers an audible click when the screen safely engages with the mount
- Built-in cable stand provides easy access under the screen
- A full line of accessories can be installed with the mount and the entire unit can be adjusted together
- Multiple installation options for various stud distances
- Exclusive nesting spacers can be stacked to achieve any depth
- Quick-Store Cords use magnets to easily store and access pull cords
- Ships with a custom hardware kit that can be hung from mount rails if installing in stages
- UL Listed; 200 lbs. weight capacity

Product Dimensions: 2"L x 34.75"W x 17.93"H

Product Weight: 15.3 lbs.